

# DOUBLE ANTENNA SUPPORT

## THE DOUBLE ANTENNA SUPPORT

is available in four different lengths with an offset from 600 mm up to 1000 mm. It is designed for installation of panel antennas, microwave antennas and other common telecom equipment such as RRU's, TMA's etc.

## FLEXIBILITY

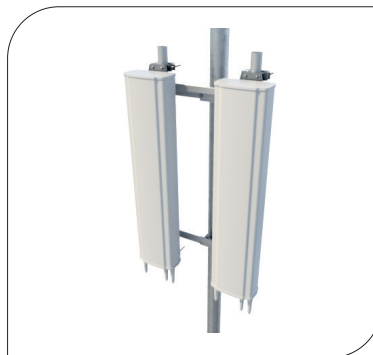
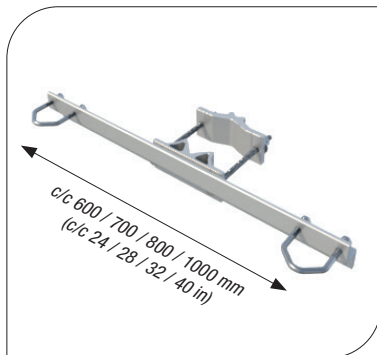
The double antenna support can handle a wide range of all common frame leg designs such as round, square, angular etc. The support is very light and still has a high loadbearing capacity.

## QUALITY

All components are made of anodized aluminum and stainless steel which gives the support excellent corrosion resistance and a very long lifespan.

## EASY ASSEMBLY

The choice of materials makes the product very light which makes the handling and installation very easy.



## ORDER AND TECHNICAL INFORMATION

DRAWING NO: CD 990712

FUNCTION DESCRIPTION: Double Antenna Support in two levels designed for installation of panel antennas, microwave antennas and other common telecom equipment such as RRU's, TMA's etc.

MOUNTING SPAN:	TUBES:	SQUARE PROFILES:	90° ANGLE:	60° ANGLE:
	○	□	∨	∨
Minimum	Ø25 mm (1,0 in)	35 x 35 mm (1,4 x 1,4 in)	35 x 35 mm (1,4 x 1,4 in)	40 mm (1,6 in) opening
Maximum	Ø120 mm (4,7 in)	90 x 90 mm (3,5 x 3,5 in)	90 x 90 mm (3,5 x 3,5 in)	100 mm (4,0 in) opening
Mounting tubes	Ø45-60 (1,8-2,4 in)			

PACKAGE DIMENSIONS:	LENGTH:	WIDTH:	HEIGHT:	WEIGHT:
Package 1, (c/c 600 mm)	790 mm (31 in)	130 mm (5,1 in)	90 mm (3,5 in)	7,8 kg (17,1 lb)
Package 1, (c/c 700 mm)	800 mm (31 in)	95 mm (3,7 in)	55 mm (2,2 in)	4,2 kg (9,3 lb)
Package 1, (c/c 800 mm)	900 mm (35 in)	95 mm (3,7 in)	55 mm (2,2 in)	4,8 kg (10,6 lb)
Package 1, (c/c 1000 mm)	1100 mm (43 in)	95 mm (3,7 in)	55 mm (2,2 in)	5,8 kg (4,0 lb)
Package 2*	280 mm (11 in)	120 mm (4,7 in)	100 mm (4,0 in)	4,0 kg (8,8 lb)

**NOTE!** Mounting tubes are not included. Must be ordered separately